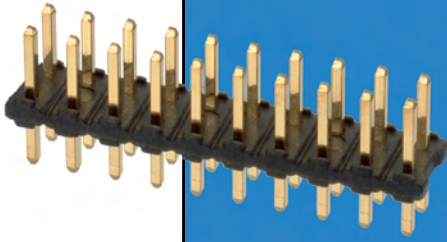


M22 Connectors

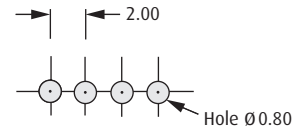
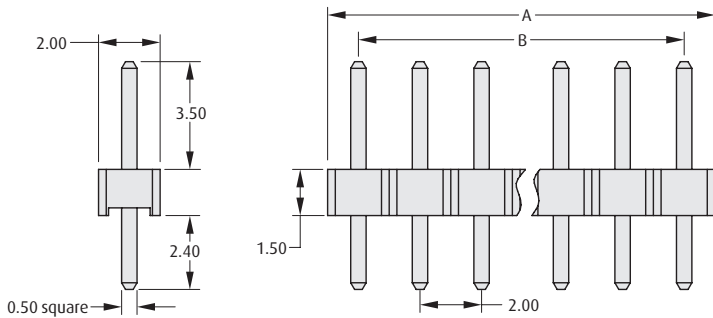
Male Vertical PC Tail



- ❖ Suitable for use with female connectors shown on pages 104 to 107.
- ❖ Pin headers can be cut into smaller sizes.
- ❖ For alternatives pin lengths, see pin header variants on page 116.
- ❖ Please contact technical@harwin.com for sizes above 25 ways per row, up to 50 ways per row.

2mm (.080") PITCH

SINGLE ROW

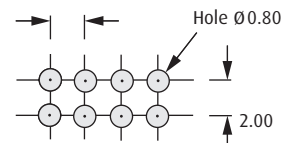
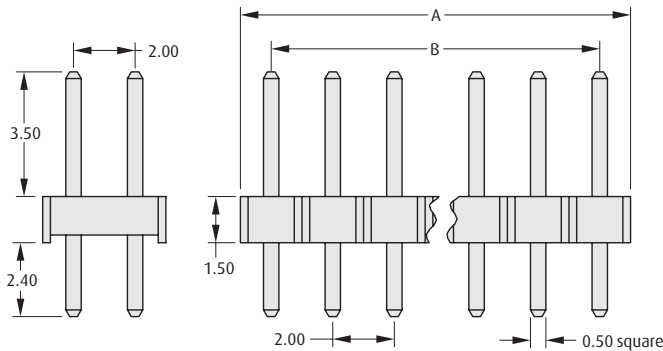


Recommended PC Board Pattern

CALCULATION

A	2.00 x No. of ways per row
B	2.00 x (No. of ways per row - 1)

DOUBLE ROW



Recommended PC Board Pattern

HOW TO ORDER

M22 - 25 X XX XX

SERIES CODE

CONNECTOR TYPE

1	Single Row
2	Double Row

FINISH

05	Gold	
46	Tin	

NO. OF WAYS PER ROW

02 to 25

www.harwin.com

All dimensions in mm.



HARWIN